

Ajax Plus

Allxon swiftDR OOB Enabler

A hardware module that provides secure Out-Of-Band device monitoring and management functions over the connected edge system.



Features

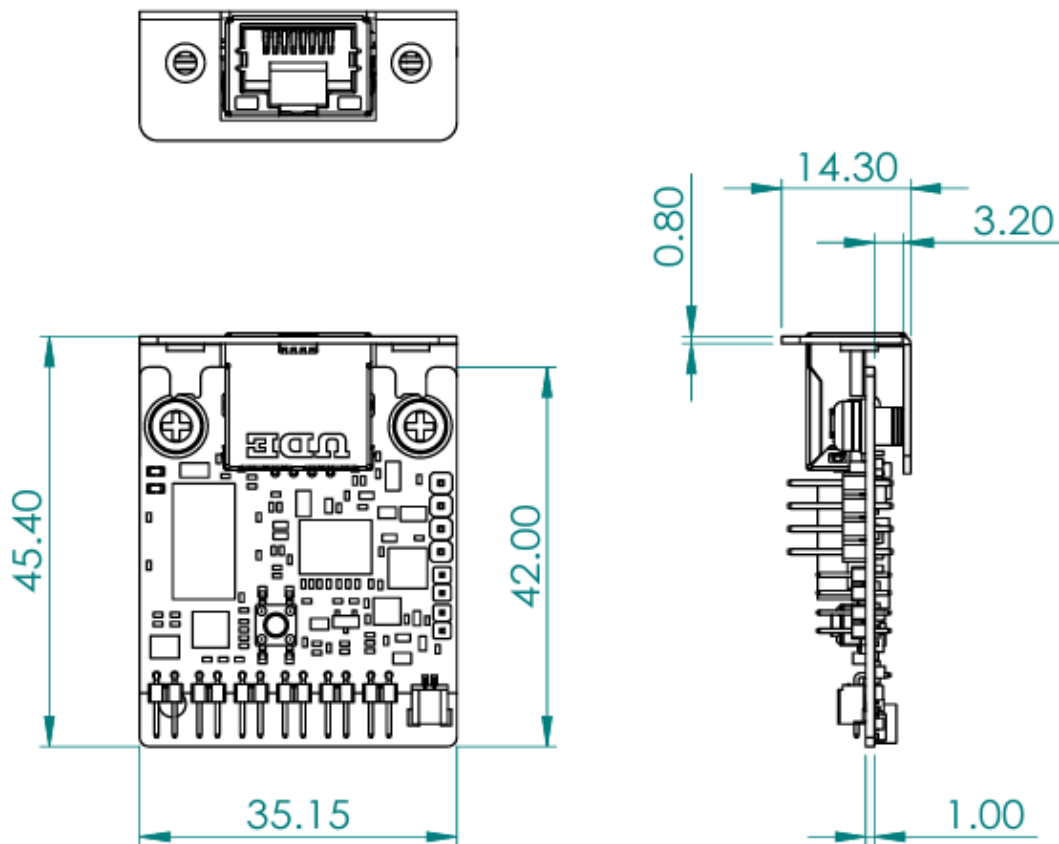
- ARM9 microprocessor embedded
- Low power consumption of less than **0.9 W**
- Built-in Allxon **Out-Of-Band (OOB)** service agent, capable of supporting both **public** and **local** network environment architectures
- Includes a **fully secure** central portal for remote device management
- Supports **complete power control** over the edge system when the system is unresponsive

Specification

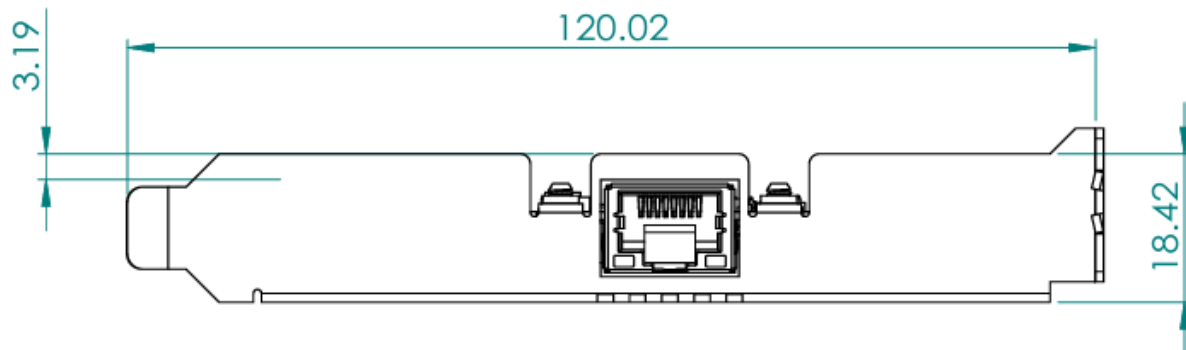
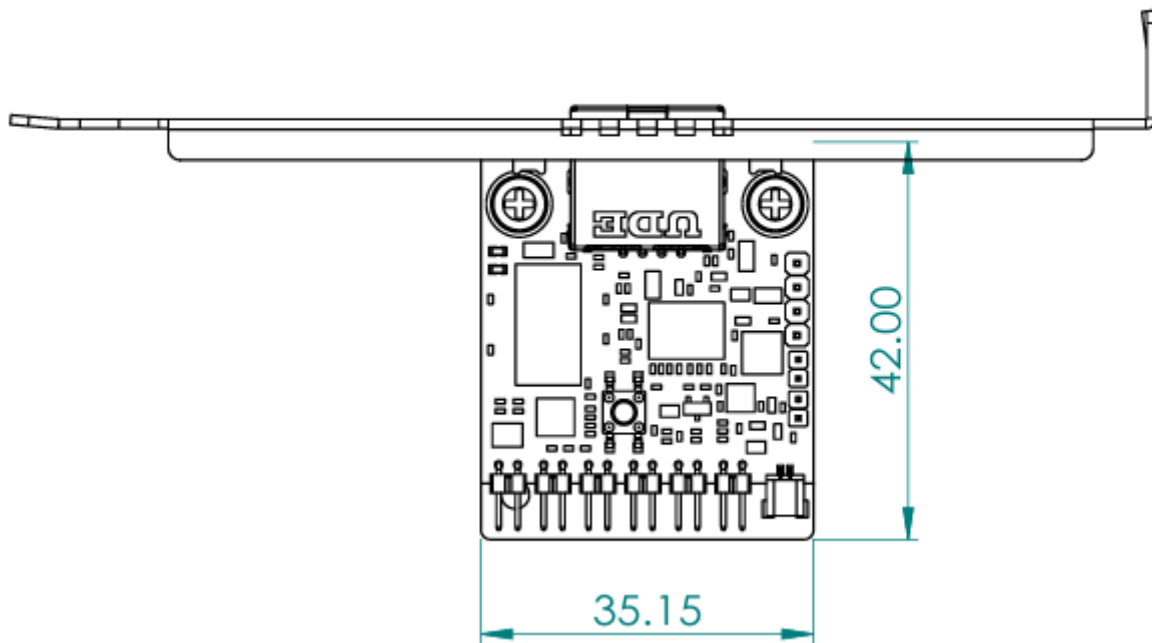
Out-Of-Band Monitoring and Management Functions	
Allxon swiftDR for Power Cycling	<ul style="list-style-type: none"> • Edge Device Force Shutdown • Edge Device Power Switch • Edge Device Reset • Power ON/OFF Detection • Power ON/OFF Scheduling • Device Always ON
Signal Interface	
Remote Control	2 Sets x Power Switch (PSW/GND) 2 Sets x Power Reset (RST/GND)
Factory Reset	Factory Reset Button (10 Seconds Pressed)
Other	Enable Device Power detection Device Power status detection(P.G/GND) OOB Reset (nReset/GND)
LED Indicator Lights	<ul style="list-style-type: none"> • MCU Power On/Off Indication • Allxon Service Activation Indication
Network Interface	
Ethernet	1-port 10/100 Mbps RJ45 Ports
Protection	1.5 KV Magnetic Isolation
Power Requirement	
Power input	1 set x power input (+5V or 3.3V standby/GND)
Power Consumption	< 0.9 W
Hardware	
Dimensions	42 x 35.15mm (without bracket) 45.4 x 35.15mm (with bracket) 120.02 x 42mm (with full-height bracket)
Environment	
Operating Temperature	-20 to 70°C (-4 to 158°F)
Operating Humidity	5 to 90% (non-condensing)
Storage Temperature	-40 to 85°C (-40 to 185°F)
Certification	CE / FCC, RoHS & REACH Compliant

Dimensions

- 42 x 35.15mm (without bracket)
- 45.4 x 35.15mm (with bracket)

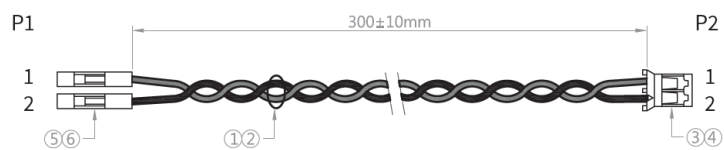


- 120.02 x 42mm (with full-height bracket)



Accessories

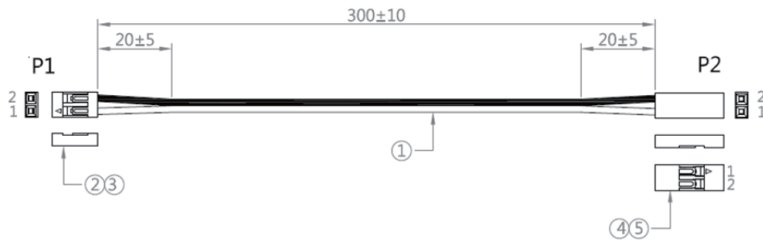
- Power cable



CONNECTION DETAIL

P1	COLOR	P2
1	GREY/ 紅色	1
2	BLACK/ 黑色	2

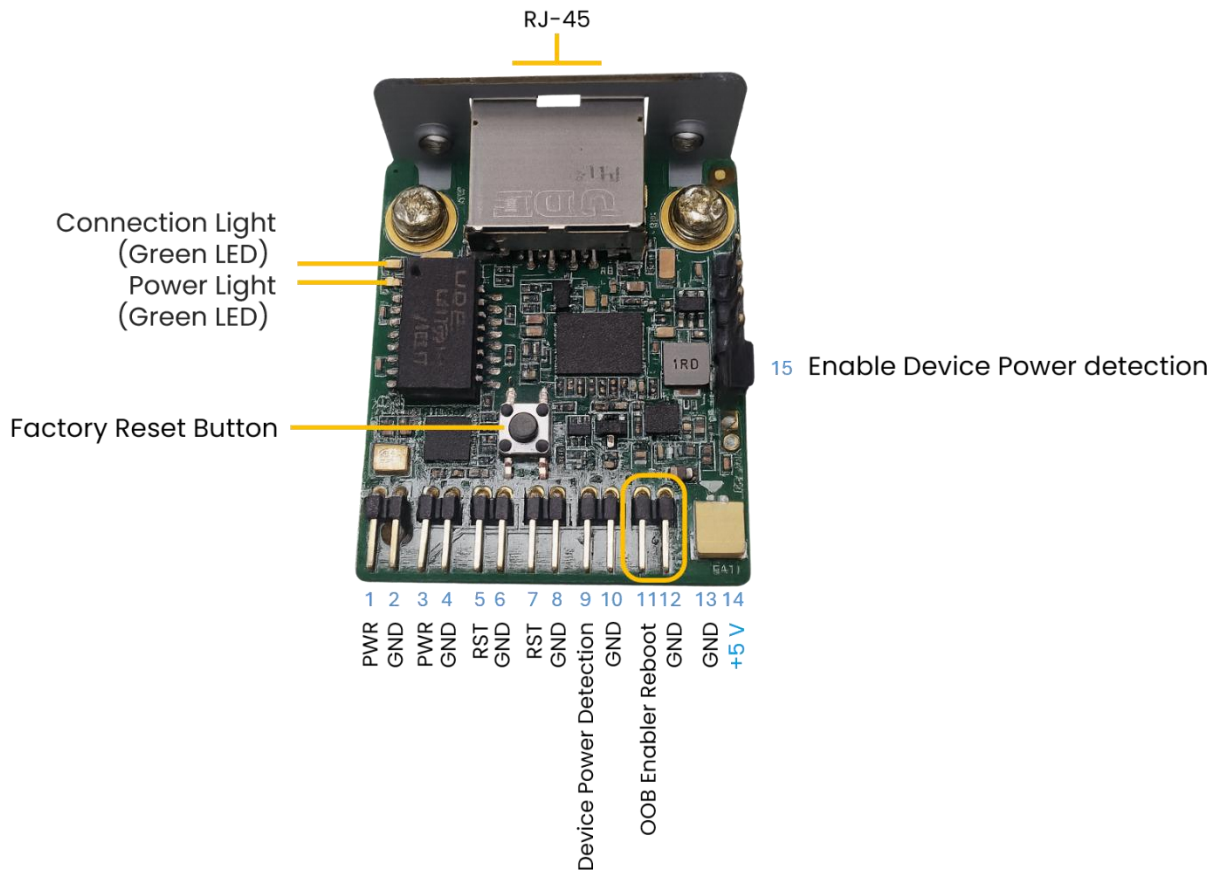
- 2.0 pitch to 2.54 pitch cable (300 mm)



CONNECTION DETAIL

P1	COLOR	P2
1	WHITE/ 白色	1
2	BLACK/ 黑色	2

Connection Diagram



Power Switch		Power Reset		Power Detection/ Reboot		Power Supply	
1	PWR-BTN	5	RST-BTN	9	Device Power Detection	13	GND
2	GND	6	GND	10	GND	14	+5V or + 3.3V
3	PWR-BTN	7	RST-BTN	11	OOB Enabler Reboot	15	Enable Device Power detection
4	GND	8	GND	12	GND		

System & Network Configuration Guide

With Allxon swiftDR OOB Enabler embedded in your edge device, proceed to system and network configuration by following these steps:

✔ Input **IP Address: 192.168.0.100** on the browser of the device that is now connected to Allxon OOB (via an Ethernet cable) to enter the sign-in page.

✔ **Sign-In Page:**

Default Username: admin

Default Password: oobadmin

The user can change the password in the setting page.

✔ **Configuration Settings Page (UP):**

Out-Of-Band Module Configuration

System Configuration

Model Name	OOB Enabler
Serial Number	EDA12B00A26 To Clipboard
MAC Address	20:48:a1:08:8b:2d
Firmware Version	fw_1.01.2010_a3042000
Firmware Upgrade	No file selected. Choose File

Start Upgrading

Information of Allxon swiftDR OOB Enabler to Clipboard: copy serial number to the clipboard



Steps to Upgrade Firmware

- 1 Choose File:** select the upgraded firmware
- 2 Start Upgrading:** start to update the selected firmware
- 3** During upgrading process, LED lights on the board should start blinking
- 4** After firmware upgrade, LED should stop blinking

Configuration Settings Page (Down):

Network Setting

DHCP	Disable
IP	192.168.0.100
Net Mask	255.255.255.0
Default Gateway	192.168.0.254
Primary DNS	Only numerical input is accepted.
Secondary DNS	Only numerical input is accepted.
Primary NTP Server	Only numerical input is accepted.
Secondary NTP Server	time.google.com

Network IP mode

Enable: DHCP (default)
Disable: fixed IP

IP Settings

Default Settings (DHCP Disable Mode)
 IP: 192.168.0.100
 Net Mask: 255.255.255.0
 Default Gateway: 192.168.0.254
 Primary DNS: 8.8.8.8
 Secondary NTP Server: time.google.com

Apply

You have now completed system and network configuration.

If you would like to experience simple, swift, and smart Allxon remote device monitoring and management features, proceed to [Pairing Edge Device to Allxon Portal](#) to pair your edge devices to Allxon Portal.

*Note: Full remote features are only available under cloud mode setting.

get in touch

services@allxon.com

www.allxon.com

[@AllxonInc](#)

[Allxon Inc.](#)